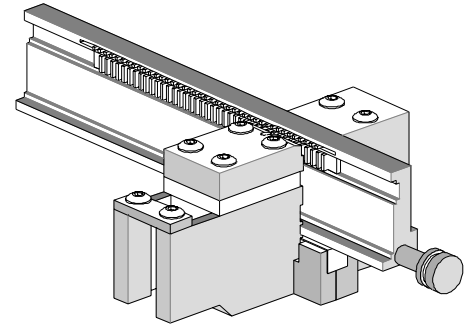




**IDT SL Hand Tool Module  
Operating Instruction for  
SL 70400 and 70475 Series  
Order No. 62100-0700**



**FEATURES**

- This module is to be used with the 63600-0478 pistol grip hand tool handle.
- It inserts individual hand-loaded discrete wires into the Molex SL Connector 70400 and 70475 series.
- The tool will accommodate 3 to 25 circuit connectors, (2-circuit connectors are always in pairs).
- The module automatically indexes to the next position after termination.

**SCOPE**

Products: C-Grid SL™ Insulation Displacement connector assemblies. The module by itself measures 185mm (7.28in.) wide by 97mm (3.82in.) deep by 50mm (1.97in.) high. And weights 0.41 kg (0.9lb).

**Product List**

The following is a partial list of the product order numbers and their specifications that this tool is designed to run. Updates to this list are available on [www.molex.com](http://www.molex.com).

Connector Series No	Description
70400	2.54mm (.100") Pitch C-Grid SL™ Insulation Displacement Female Connector Assembly
70475	2.54mm (.100") Pitch SL™ Insulation Displacement Male Connector Assembly

Connector Series No.70400	
Order No.	Engineer No.
14-56-2021	A-70400-0526
14-56-2022	A-70400-0666
14-56-2023	A-70400-0701
14-56-2024	A-70400-0841
14-56-2025	A-70400-0876
14-56-2026	A-70400-1016
14-56-2027	A-70400-1051
14-56-2028	A-70400-1191
14-56-2029	A-70400-1226
14-56-2031	A-70400-0527
14-56-2032	A-70400-0667
14-56-2033	A-70400-0702
14-56-2034	A-70400-0842
14-56-2035	A-70400-0877
14-56-2036	A-70400-1017
14-56-2037	A-70400-1052
14-56-2038	A-70400-1192
14-56-2039	A-70400-1227
14-56-2041	A-70400-0528
14-56-2042	A-70400-0668
14-56-2043	A-70400-0703
14-56-2044	A-70400-0843
14-56-2045	A-70400-0878
14-56-2046	A-70400-1018
14-56-2047	A-70400-1053
14-56-2048	A-70400-1193
14-56-2049	A-70400-1228
14-56-2051	A-70400-0529

Connector Series No.70400	
Order No.	Engineer No.
14-56-2052	A-70400-0669
14-56-2053	A-70400-0704
14-56-2054	A-70400-0844
14-56-2055	A-70400-0879
14-56-2056	A-70400-1019
14-56-2057	A-70400-1054
14-56-2058	A-70400-1194
14-56-2059	A-70400-1229
14-56-2061	A-70400-0530
14-56-2062	A-70400-0670
14-56-2063	A-70400-0705
14-56-2064	A-70400-0845
14-56-2065	A-70400-0880
14-56-2066	A-70400-1020
14-56-2067	A-70400-1055
14-56-2068	A-70400-1195
14-56-2069	A-70400-1230
14-56-2071	A-70400-0531
14-56-2072	A-70400-0671
14-56-2073	A-70400-0706
14-56-2074	A-70400-0846
14-56-2075	A-70400-0881
14-56-2076	A-70400-1021
14-56-2077	A-70400-1056
14-56-2078	A-70400-1196
14-56-2079	A-70400-1231
14-56-2081	A-70400-0532
14-56-2082	A-70400-0672

Connector Series No.70400	
Order No.	Engineer No.
14-56-2083	A-70400-0707
14-56-2084	A-70400-0847
14-56-2085	A-70400-0882
14-56-2086	A-70400-1022
14-56-2087	A-70400-1057
14-56-2088	A-70400-1197
14-56-2089	A-70400-1232
14-56-2091	A-70400-0533
14-56-2092	A-70400-0673
14-56-2093	A-70400-0708
14-56-2094	A-70400-0848
14-56-2095	A-70400-0883
14-56-2096	A-70400-1023
14-56-2097	A-70400-1058
14-56-2098	A-70400-1198
14-56-2099	A-70400-1233
14-56-2101	A-70400-0534
14-56-2102	A-70400-0674
14-56-2103	A-70400-0709
14-56-2104	A-70400-0849
14-56-2105	A-70400-0884
14-56-2106	A-70400-1024
14-56-2107	A-70400-1059
14-56-2108	A-70400-1199
14-56-2109	A-70400-1234
14-56-2111	A-70400-0535
14-56-2112	A-70400-0675
14-56-2113	A-70400-0710

Connector Series No.70400	
Order No.	Engineer No.
14-56-2114	A-70400-0850
14-56-2115	A-70400-0885
14-56-2116	A-70400-1025
14-56-2117	A-70400-1060
14-56-2118	A-70400-1200
14-56-2119	A-70400-1235
14-56-2121	A-70400-0536
14-56-2122	A-70400-0676
14-56-2123	A-70400-0711
14-56-2124	A-70400-0851
14-56-2125	A-70400-0886
14-56-2126	A-70400-1026
14-56-2127	A-70400-1061
14-56-2128	A-70400-1201
14-56-2129	A-70400-1236
14-56-2131	A-70400-0537
14-56-2132	A-70400-0677
14-56-2133	A-70400-0712
14-56-2134	A-70400-0852
14-56-2135	A-70400-0887
14-56-2136	A-70400-1027
14-56-2137	A-70400-1062
14-56-2138	A-70400-1202
14-56-2139	A-70400-1237
14-56-2141	A-70400-0538
14-56-2142	A-70400-0678
14-56-2143	A-70400-0713
14-56-2144	A-70400-0853



IDT SL Hand Tool Module

Connector Series No.70400	
Order No.	Engineer No.
14-56-3203	A-70400-1559
14-56-3204	A-70400-0614
14-56-3205	A-70400-0579
14-56-3206	A-70400-0754
14-56-3207	A-70400-0789
14-56-3208	A-70400-0929
14-56-3209	A-70400-0964
14-56-3211	A-70400-1385
14-56-3212	A-70400-1420
14-56-3213	A-70400-1560
14-56-3214	A-70400-0615
14-56-3215	A-70400-0580
14-56-3216	A-70400-0755
14-56-3217	A-70400-0790
14-56-3218	A-70400-0930
14-56-3219	A-70400-0965
14-56-3221	A-70400-1386
14-56-3222	A-70400-1421
14-56-3223	A-70400-1561
14-56-3224	A-70400-0616
14-56-3225	A-70400-0581
14-56-3226	A-70400-0756
14-56-3227	A-70400-0791
14-56-3228	A-70400-0931
14-56-3229	A-70400-0966
14-56-3231	A-70400-1387
14-56-3232	A-70400-1422
14-56-3233	A-70400-1562
14-56-3234	A-70400-0617
14-56-3235	A-70400-0582
14-56-3236	A-70400-0757
14-56-3237	A-70400-0792
14-56-3238	A-70400-0932
14-56-3239	A-70400-0967
14-56-3241	A-70400-1388
14-56-3242	A-70400-1423
14-56-3243	A-70400-1563
14-56-3244	A-70400-0618
14-56-3245	A-70400-0583
14-56-3246	A-70400-0758
14-56-3247	A-70400-0793
14-56-3248	A-70400-0933
14-56-3249	A-70400-0968
14-56-3251	A-70400-1389
14-56-3252	A-70400-1424
14-56-3253	A-70400-1564
14-56-3254	A-70400-0619
14-56-3255	A-70400-0584
14-56-3256	A-70400-0759
14-56-3257	A-70400-0794
14-56-3258	A-70400-0934
14-56-3259	A-70400-0969
14-56-4020	A-70400-1086
14-56-4021	A-70400-1121
14-56-4022	A-70400-1261
14-56-4023	A-70400-1296
14-56-4024	A-70400-1436
14-56-4025	A-70400-1471
14-56-4030	A-70400-1087
14-56-4031	A-70400-1122
14-56-4032	A-70400-1262
14-56-4033	A-70400-1297
14-56-4034	A-70400-1437
14-56-4035	A-70400-1472
14-56-4040	A-70400-1088
14-56-4041	A-70400-1123
14-56-4042	A-70400-1263

Connector Series No.70400	
Order No.	Engineer No.
14-56-4043	A-70400-1298
14-56-4044	A-70400-1438
14-56-4045	A-70400-1473
14-56-4050	A-70400-1089
14-56-4051	A-70400-1124
14-56-4052	A-70400-1264
14-56-4053	A-70400-1299
14-56-4054	A-70400-1439
14-56-4055	A-70400-1474
14-56-4060	A-70400-1090
14-56-4061	A-70400-1125
14-56-4062	A-70400-1265
14-56-4063	A-70400-1300
14-56-4064	A-70400-1440
14-56-4065	A-70400-1475
14-56-4070	A-70400-1091
14-56-4071	A-70400-1126
14-56-4072	A-70400-1266
14-56-4073	A-70400-1301
14-56-4074	A-70400-1441
14-56-4075	A-70400-1476
14-56-4080	A-70400-1092
14-56-4081	A-70400-1127
14-56-4082	A-70400-1267
14-56-4083	A-70400-1302
14-56-4084	A-70400-1442
14-56-4085	A-70400-1477
14-56-4090	A-70400-1093
14-56-4091	A-70400-1128
14-56-4092	A-70400-1268
14-56-4093	A-70400-1303
14-56-4094	A-70400-1443
14-56-4095	A-70400-1478
14-56-4100	A-70400-1094
14-56-4101	A-70400-1129
14-56-4102	A-70400-1269
14-56-4103	A-70400-1304
14-56-4104	A-70400-1444
14-56-4105	A-70400-1479
14-56-4110	A-70400-1095
14-56-4111	A-70400-1130
14-56-4112	A-70400-1270
14-56-4113	A-70400-1305
14-56-4114	A-70400-1445
14-56-4115	A-70400-1480
14-56-4120	A-70400-1096
14-56-4121	A-70400-1131
14-56-4122	A-70400-1271
14-56-4123	A-70400-1306
14-56-4124	A-70400-1446
14-56-4125	A-70400-1481
14-56-4130	A-70400-1097
14-56-4131	A-70400-1132
14-56-4132	A-70400-1272
14-56-4133	A-70400-1307
14-56-4134	A-70400-1447
14-56-4135	A-70400-1482
14-56-4140	A-70400-1098
14-56-4141	A-70400-1133
14-56-4142	A-70400-1273
14-56-4143	A-70400-1308
14-56-4144	A-70400-1448
14-56-4145	A-70400-1483
14-56-4150	A-70400-1099
14-56-4151	A-70400-1134
14-56-4152	A-70400-1274
14-56-4153	A-70400-1309

Connector Series No.70400	
Order No.	Engineer No.
14-56-4154	A-70400-1449
14-56-4155	A-70400-1484
14-56-4160	A-70400-1100
14-56-4161	A-70400-1135
14-56-4162	A-70400-1275
14-56-4163	A-70400-1310
14-56-4164	A-70400-1450
14-56-4165	A-70400-1485
14-56-4170	A-70400-1101
14-56-4171	A-70400-1136
14-56-4172	A-70400-1276
14-56-4173	A-70400-1311
14-56-4174	A-70400-1451
14-56-4175	A-70400-1486
14-56-4180	A-70400-1102
14-56-4181	A-70400-1137
14-56-4182	A-70400-1277
14-56-4183	A-70400-1312
14-56-4184	A-70400-1452
14-56-4185	A-70400-1487
14-56-4190	A-70400-1103
14-56-4191	A-70400-1138
14-56-4192	A-70400-1278
14-56-4193	A-70400-1313
14-56-4194	A-70400-1453
14-56-4195	A-70400-1488
14-56-4200	A-70400-1104
14-56-4201	A-70400-1139
14-56-4202	A-70400-1279
14-56-4203	A-70400-1314
14-56-4204	A-70400-1454
14-56-4205	A-70400-1489
14-56-4210	A-70400-1105
14-56-4211	A-70400-1140
14-56-4212	A-70400-1280
14-56-4213	A-70400-1315
14-56-4214	A-70400-1455
14-56-4215	A-70400-1490
14-56-4220	A-70400-1106
14-56-4221	A-70400-1141
14-56-4222	A-70400-1281
14-56-4223	A-70400-1316
14-56-4224	A-70400-1456
14-56-4225	A-70400-1491
14-56-4230	A-70400-1107
14-56-4231	A-70400-1142
14-56-4232	A-70400-1282
14-56-4233	A-70400-1317
14-56-4234	A-70400-1457
14-56-4235	A-70400-1492
14-56-4240	A-70400-1108
14-56-4241	A-70400-1143
14-56-4242	A-70400-1283
14-56-4243	A-70400-1318
14-56-4244	A-70400-1458
14-56-4245	A-70400-1493
14-56-4250	A-70400-1109
14-56-4251	A-70400-1144
14-56-4252	A-70400-1284
14-56-4253	A-70400-1319
14-56-4254	A-70400-1459
14-56-4255	A-70400-1494
14-56-6028	A-70400-2871
14-56-6029	A-70400-3000
14-56-6038	A-70400-2872
14-56-6039	A-70400-3001
14-56-6048	A-70400-2873

Connector Series No.70400	
Order No.	Engineer No.
14-56-6049	A-70400-3002
14-56-6058	A-70400-2874
14-56-6059	A-70400-3003
14-56-6068	A-70400-2875
14-56-6069	A-70400-3004
14-56-6078	A-70400-2876
14-56-6079	A-70400-3005
14-56-6088	A-70400-2877
14-56-6089	A-70400-3006
14-56-6098	A-70400-2878
14-56-6099	A-70400-3007
14-56-6108	A-70400-2879
14-56-6109	A-70400-3008
14-56-6118	A-70400-2880
14-56-6119	A-70400-3009
14-56-6128	A-70400-2881
14-56-6129	A-70400-3010
14-56-6138	A-70400-2882
14-56-6139	A-70400-3011
14-56-6148	A-70400-2883
14-56-6149	A-70400-3012
14-56-6158	A-70400-2884
14-56-6159	A-70400-3013
14-56-6168	A-70400-2885
14-56-6169	A-70400-3014
14-56-6178	A-70400-2886
14-56-6179	A-70400-3015
14-56-6188	A-70400-2887
14-56-6189	A-70400-3016
14-56-6198	A-70400-2888
14-56-6199	A-70400-3017
14-56-6208	A-70400-2889
14-56-6209	A-70400-3018
14-56-6218	A-70400-2890
14-56-6219	A-70400-3019
14-56-6228	A-70400-2891
14-56-6229	A-70400-3020
14-56-6238	A-70400-2892
14-56-6239	A-70400-3021
14-56-6248	A-70400-2893
14-56-6249	A-70400-3022
14-56-6258	A-70400-2894
14-56-6259	A-70400-3023
14-56-7020	A-70400-3035
14-56-7021	A-70400-3070
14-56-7022	A-70400-3140
14-56-7023	A-70400-2906
14-56-7024	A-70400-3175
14-56-7025	A-70400-3210
14-56-7026	A-70400-3245
14-56-7027	A-70400-2976
14-56-7028	A-70400-3315
14-56-7029	A-70400-3350
14-56-7030	A-70400-3036
14-56-7031	A-70400-3071
14-56-7032	A-70400-3141
14-56-7033	A-70400-2907
14-56-7034	A-70400-3176
14-56-7035	A-70400-3211
14-56-7036	A-70400-3246
14-56-7037	A-70400-2977
14-56-7038	A-70400-3316
14-56-7039	A-70400-3351
14-56-7040	A-70400-3037
14-56-7041	A-70400-3072
14-56-7042	A-70400-3142
14-56-7043	A-70400-2908

IDT SL Hand Tool Module

Connector Series No.70400	
Order No.	Engineer No.
14-56-7044	A-70400-3177
14-56-7045	A-70400-3212
14-56-7046	A-70400-3247
14-56-7047	A-70400-2978
14-56-7048	A-70400-3317
14-56-7049	A-70400-3352
14-56-7050	A-70400-3038
14-56-7051	A-70400-3073
14-56-7052	A-70400-3143
14-56-7053	A-70400-2909
14-56-7054	A-70400-3178
14-56-7055	A-70400-3213
14-56-7056	A-70400-3248
14-56-7057	A-70400-2979
14-56-7058	A-70400-3318
14-56-7059	A-70400-3353
14-56-7060	A-70400-3039
14-56-7061	A-70400-3074
14-56-7062	A-70400-3144
14-56-7063	A-70400-2910
14-56-7064	A-70400-3179
14-56-7065	A-70400-3214
14-56-7066	A-70400-3249
14-56-7067	A-70400-2980
14-56-7068	A-70400-3319
14-56-7069	A-70400-3354
14-56-7070	A-70400-3040
14-56-7071	A-70400-3075
14-56-7072	A-70400-3145
14-56-7073	A-70400-2911
14-56-7074	A-70400-3180
14-56-7075	A-70400-3215
14-56-7076	A-70400-3250
14-56-7077	A-70400-2981
14-56-7078	A-70400-3320
14-56-7079	A-70400-3355
14-56-7080	A-70400-3041
14-56-7081	A-70400-3076
14-56-7082	A-70400-3146
14-56-7083	A-70400-2912
14-56-7084	A-70400-3181
14-56-7085	A-70400-3216
14-56-7086	A-70400-3251
14-56-7087	A-70400-2982
14-56-7088	A-70400-3321
14-56-7089	A-70400-3356
14-56-7090	A-70400-3042
14-56-7091	A-70400-3077
14-56-7092	A-70400-3147
14-56-7093	A-70400-2913
14-56-7094	A-70400-3182
14-56-7095	A-70400-3217
14-56-7096	A-70400-3252
14-56-7097	A-70400-2983
14-56-7098	A-70400-3322
14-56-7099	A-70400-3357
14-56-7100	A-70400-3043
14-56-7101	A-70400-3078
14-56-7102	A-70400-3148
14-56-7103	A-70400-2914
14-56-7104	A-70400-3183
14-56-7105	A-70400-3218
14-56-7106	A-70400-3253
14-56-7107	A-70400-2984
14-56-7108	A-70400-3323
14-56-7109	A-70400-3358
14-56-7110	A-70400-3044

Connector Series No.70400	
Order No.	Engineer No.
14-56-7111	A-70400-3079
14-56-7112	A-70400-3149
14-56-7113	A-70400-2915
14-56-7114	A-70400-3184
14-56-7115	A-70400-3219
14-56-7116	A-70400-3254
14-56-7117	A-70400-2985
14-56-7118	A-70400-3324
14-56-7119	A-70400-3359
14-56-7120	A-70400-3045
14-56-7121	A-70400-3080
14-56-7122	A-70400-3150
14-56-7123	A-70400-2916
14-56-7124	A-70400-3185
14-56-7125	A-70400-3220
14-56-7126	A-70400-3255
14-56-7127	A-70400-2986
14-56-7128	A-70400-3325
14-56-7129	A-70400-3360
14-56-7130	A-70400-3046
14-56-7131	A-70400-3081
14-56-7132	A-70400-3151
14-56-7133	A-70400-2917
14-56-7134	A-70400-3186
14-56-7135	A-70400-3221
14-56-7136	A-70400-3256
14-56-7137	A-70400-2987
14-56-7138	A-70400-3326
14-56-7139	A-70400-3361
14-56-7140	A-70400-3047
14-56-7141	A-70400-3082
14-56-7142	A-70400-3152
14-56-7143	A-70400-2918
14-56-7144	A-70400-3187
14-56-7145	A-70400-3222
14-56-7146	A-70400-3257
14-56-7147	A-70400-2988
14-56-7148	A-70400-3327
14-56-7149	A-70400-3362
14-56-7150	A-70400-3048
14-56-7151	A-70400-3083
14-56-7152	A-70400-3153
14-56-7153	A-70400-2919
14-56-7154	A-70400-3188
14-56-7155	A-70400-3223
14-56-7156	A-70400-3258
14-56-7157	A-70400-2989
14-56-7158	A-70400-3328
14-56-7159	A-70400-3363
14-56-7160	A-70400-3049
14-56-7161	A-70400-3084
14-56-7162	A-70400-3154
14-56-7163	A-70400-2920
14-56-7164	A-70400-3189
14-56-7165	A-70400-3224
14-56-7166	A-70400-3259
14-56-7167	A-70400-2990
14-56-7168	A-70400-3329
14-56-7169	A-70400-3364
14-56-7170	A-70400-3050
14-56-7171	A-70400-3085
14-56-7172	A-70400-3155
14-56-7173	A-70400-2921
14-56-7174	A-70400-3190
14-56-7175	A-70400-3225
14-56-7176	A-70400-3260
14-56-7177	A-70400-2991

Connector Series No.70400	
Order No.	Engineer No.
14-56-7178	A-70400-3330
14-56-7179	A-70400-3365
14-56-7180	A-70400-3051
14-56-7181	A-70400-3086
14-56-7182	A-70400-3156
14-56-7183	A-70400-2922
14-56-7184	A-70400-3191
14-56-7185	A-70400-3226
14-56-7186	A-70400-3261
14-56-7187	A-70400-2992
14-56-7188	A-70400-3331
14-56-7189	A-70400-3366
14-56-7190	A-70400-3052
14-56-7191	A-70400-3087
14-56-7192	A-70400-3157
14-56-7193	A-70400-2923
14-56-7194	A-70400-3192
14-56-7195	A-70400-3227
14-56-7196	A-70400-3262
14-56-7197	A-70400-2993
14-56-7198	A-70400-3332
14-56-7199	A-70400-3367
14-56-7200	A-70400-3053
14-56-7201	A-70400-3088
14-56-7202	A-70400-3158
14-56-7203	A-70400-2924
14-56-7204	A-70400-3193
14-56-7205	A-70400-3228
14-56-7206	A-70400-3263
14-56-7207	A-70400-2994
14-56-7208	A-70400-3333
14-56-7209	A-70400-3368
14-56-7210	A-70400-3054
14-56-7211	A-70400-3089
14-56-7212	A-70400-3159
14-56-7213	A-70400-2925
14-56-7214	A-70400-3194
14-56-7215	A-70400-3229
14-56-7216	A-70400-3264
14-56-7217	A-70400-2995
14-56-7218	A-70400-3334
14-56-7219	A-70400-3369
14-56-7220	A-70400-3055
14-56-7221	A-70400-3090
14-56-7222	A-70400-3160
14-56-7223	A-70400-2926
14-56-7224	A-70400-3195
14-56-7225	A-70400-3230
14-56-7226	A-70400-3265
14-56-7227	A-70400-2996
14-56-7228	A-70400-3335
14-56-7229	A-70400-3370
14-56-7230	A-70400-3056
14-56-7231	A-70400-3091
14-56-7232	A-70400-3161
14-56-7233	A-70400-2927
14-56-7234	A-70400-3196
14-56-7235	A-70400-3231
14-56-7236	A-70400-3266
14-56-7237	A-70400-2997
14-56-7238	A-70400-3336
14-56-7239	A-70400-3371
14-56-7240	A-70400-3057
14-56-7241	A-70400-3092
14-56-7242	A-70400-3162
14-56-7243	A-70400-2928
14-56-7244	A-70400-3197

Connector Series No.70400	
Order No.	Engineer No.
14-56-7245	A-70400-3232
14-56-7246	A-70400-3267
14-56-7247	A-70400-2998
14-56-7248	A-70400-3337
14-56-7249	A-70400-3372
14-56-7250	A-70400-3058
14-56-7251	A-70400-3093
14-56-7252	A-70400-3163
14-56-7253	A-70400-2929
14-56-7254	A-70400-3198
14-56-7255	A-70400-3233
14-56-7256	A-70400-3268
14-56-7257	A-70400-2999
14-56-7258	A-70400-3338
14-56-7259	A-70400-3373
14-56-8020	A-70400-3385
14-56-8021	A-70400-3420
14-56-8022	A-70400-3490
14-56-8023	A-70400-2941
14-56-8030	A-70400-3386
14-56-8031	A-70400-3421
14-56-8032	A-70400-3491
14-56-8033	A-70400-2942
14-56-8040	A-70400-3387
14-56-8041	A-70400-3422
14-56-8042	A-70400-3492
14-56-8043	A-70400-2943
14-56-8050	A-70400-3388
14-56-8051	A-70400-3423
14-56-8052	A-70400-3493
14-56-8053	A-70400-2944
14-56-8060	A-70400-3389
14-56-8061	A-70400-3424
14-56-8062	A-70400-3494
14-56-8063	A-70400-2945
14-56-8070	A-70400-3390
14-56-8071	A-70400-3425
14-56-8072	A-70400-3495
14-56-8073	A-70400-2946
14-56-8080	A-70400-3391
14-56-8081	A-70400-3426
14-56-8082	A-70400-3496
14-56-8083	A-70400-2947
14-56-8090	A-70400-3392
14-56-8091	A-70400-3427
14-56-8092	A-70400-3497
14-56-8093	A-70400-2948
14-56-8100	A-70400-3393
14-56-8101	A-70400-3428
14-56-8102	A-70400-3498
14-56-8103	A-70400-2949
14-56-8110	A-70400-3394
14-56-8111	A-70400-3429
14-56-8112	A-70400-3499
14-56-8113	A-70400-2950
14-56-8120	A-70400-3395
14-56-8121	A-70400-3430
14-56-8122	A-70400-3500
14-56-8123	A-70400-2951
14-56-8130	A-70400-3396
14-56-8131	A-70400-3431
14-56-8132	A-70400-3501
14-56-8133	A-70400-2952
14-56-8140	A-70400-3397
14-56-8141	A-70400-3432
14-56-8142	A-70400-3502
14-56-8143	A-70400-2953

IDT SL Hand Tool Module

Connector Series No.70400		Connector Series No.70400		Connector Series No.70400		Connector Series No.70400	
Order No.	Engineer No.	Order No.	Engineer No.	Order No.	Engineer No.	Order No.	Engineer No.
14-56-8150	A-70400-3398	14-60-0033	A-70400-0177	14-60-0107	A-70400-0044	14-60-0182	A-70400-0157
14-56-8151	A-70400-3433	14-60-0034	A-70400-0317	14-60-0108	A-70400-0079	14-60-0183	A-70400-0192
14-56-8152	A-70400-3503	14-60-0035	A-70400-0352	14-60-0109	A-70400-0219	14-60-0184	A-70400-0332
14-56-8153	A-70400-2954	14-60-0036	A-70400-0492	14-60-0111	A-70400-0010	14-60-0185	A-70400-0367
14-56-8160	A-70400-3399	14-60-0037	A-70400-0037	14-60-0112	A-70400-0150	14-60-0186	A-70400-0507
14-56-8161	A-70400-3434	14-60-0038	A-70400-0072	14-60-0113	A-70400-0185	14-60-0187	A-70400-0052
14-56-8162	A-70400-3504	14-60-0039	A-70400-0212	14-60-0114	A-70400-0325	14-60-0188	A-70400-0087
14-56-8163	A-70400-2955	14-60-0041	A-70400-0003	14-60-0115	A-70400-0360	14-60-0189	A-70400-0227
14-56-8170	A-70400-3400	14-60-0042	A-70400-0143	14-60-0116	A-70400-0500	14-60-0191	A-70400-0018
14-56-8171	A-70400-3435	14-60-0043	A-70400-0178	14-60-0117	A-70400-0045	14-60-0192	A-70400-0158
14-56-8172	A-70400-3505	14-60-0044	A-70400-0318	14-60-0118	A-70400-0080	14-60-0193	A-70400-0193
14-56-8173	A-70400-2956	14-60-0045	A-70400-0353	14-60-0119	A-70400-0220	14-60-0194	A-70400-0333
14-56-8180	A-70400-3401	14-60-0046	A-70400-0493	14-60-0121	A-70400-0011	14-60-0195	A-70400-0368
14-56-8181	A-70400-3436	14-60-0047	A-70400-0038	14-60-0122	A-70400-0151	14-60-0196	A-70400-0508
14-56-8182	A-70400-3506	14-60-0048	A-70400-0073	14-60-0123	A-70400-0186	14-60-0197	A-70400-0053
14-56-8183	A-70400-2957	14-60-0049	A-70400-0213	14-60-0124	A-70400-0326	14-60-0198	A-70400-0088
14-56-8190	A-70400-3402	14-60-0051	A-70400-0004	14-60-0125	A-70400-0361	14-60-0199	A-70400-0228
14-56-8191	A-70400-3437	14-60-0052	A-70400-0144	14-60-0126	A-70400-0501	14-60-0201	A-70400-0019
14-56-8192	A-70400-3507	14-60-0053	A-70400-0179	14-60-0127	A-70400-0046	14-60-0202	A-70400-0159
14-56-8193	A-70400-2958	14-60-0054	A-70400-0319	14-60-0128	A-70400-0081	14-60-0203	A-70400-0194
14-56-8200	A-70400-3403	14-60-0055	A-70400-0354	14-60-0129	A-70400-0221	14-60-0204	A-70400-0334
14-56-8201	A-70400-3438	14-60-0056	A-70400-0494	14-60-0131	A-70400-0012	14-60-0205	A-70400-0369
14-56-8202	A-70400-3508	14-60-0057	A-70400-0039	14-60-0132	A-70400-0152	14-60-0206	A-70400-0509
14-56-8203	A-70400-2959	14-60-0058	A-70400-0074	14-60-0133	A-70400-0187	14-60-0207	A-70400-0054
14-56-8210	A-70400-3404	14-60-0059	A-70400-0214	14-60-0134	A-70400-0327	14-60-0208	A-70400-0089
14-56-8211	A-70400-3439	14-60-0061	A-70400-0005	14-60-0135	A-70400-0362	14-60-0209	A-70400-0229
14-56-8212	A-70400-3509	14-60-0062	A-70400-0145	14-60-0136	A-70400-0502	14-60-0211	A-70400-0020
14-56-8213	A-70400-2960	14-60-0063	A-70400-0180	14-60-0137	A-70400-0047	14-60-0212	A-70400-0160
14-56-8220	A-70400-3405	14-60-0064	A-70400-0320	14-60-0138	A-70400-0082	14-60-0213	A-70400-0195
14-56-8221	A-70400-3440	14-60-0065	A-70400-0355	14-60-0139	A-70400-0222	14-60-0214	A-70400-0335
14-56-8222	A-70400-3510	14-60-0066	A-70400-0495	14-60-0141	A-70400-0013	14-60-0215	A-70400-0370
14-56-8223	A-70400-2961	14-60-0067	A-70400-0040	14-60-0142	A-70400-0153	14-60-0216	A-70400-0510
14-56-8230	A-70400-3406	14-60-0068	A-70400-0075	14-60-0143	A-70400-0188	14-60-0217	A-70400-0055
14-56-8231	A-70400-3441	14-60-0069	A-70400-0215	14-60-0144	A-70400-0328	14-60-0218	A-70400-0090
14-56-8232	A-70400-3511	14-60-0071	A-70400-0006	14-60-0145	A-70400-0363	14-60-0219	A-70400-0230
14-56-8233	A-70400-2962	14-60-0072	A-70400-0146	14-60-0146	A-70400-0503	14-60-0221	A-70400-0021
14-56-8240	A-70400-3407	14-60-0073	A-70400-0181	14-60-0147	A-70400-0048	14-60-0222	A-70400-0161
14-56-8241	A-70400-3442	14-60-0074	A-70400-0321	14-60-0148	A-70400-0083	14-60-0223	A-70400-0196
14-56-8242	A-70400-3512	14-60-0075	A-70400-0356	14-60-0149	A-70400-0223	14-60-0224	A-70400-0336
14-56-8243	A-70400-2963	14-60-0076	A-70400-0496	14-60-0151	A-70400-0014	14-60-0225	A-70400-0371
14-56-8250	A-70400-3408	14-60-0077	A-70400-0041	14-60-0152	A-70400-0154	14-60-0226	A-70400-0511
14-56-8251	A-70400-3443	14-60-0078	A-70400-0076	14-60-0153	A-70400-0189	14-60-0227	A-70400-0056
14-56-8252	A-70400-3513	14-60-0079	A-70400-0216	14-60-0154	A-70400-0329	14-60-0228	A-70400-0091
14-56-8253	A-70400-2964	14-60-0081	A-70400-0007	14-60-0155	A-70400-0364	14-60-0229	A-70400-0231
14-56-9000	A-70400-5000	14-60-0082	A-70400-0147	14-60-0156	A-70400-0504	14-60-0231	A-70400-0022
14-56-9001	A-70400-5001	14-60-0083	A-70400-0182	14-60-0157	A-70400-0049	14-60-0232	A-70400-0162
14-56-9002	A-70400-5002	14-60-0084	A-70400-0322	14-60-0158	A-70400-0084	14-60-0233	A-70400-0197
14-56-9003	A-70400-5003	14-60-0085	A-70400-0357	14-60-0159	A-70400-0224	14-60-0234	A-70400-0337
14-56-9004	A-70400-5004	14-60-0086	A-70400-0497	14-60-0161	A-70400-0015	14-60-0235	A-70400-0372
14-56-9005	A-70400-5005	14-60-0087	A-70400-0042	14-60-0162	A-70400-0155	14-60-0236	A-70400-0512
14-56-9006	A-70400-5006	14-60-0088	A-70400-0077	14-60-0163	A-70400-0190	14-60-0237	A-70400-0057
14-56-9007	A-70400-5007	14-60-0089	A-70400-0217	14-60-0164	A-70400-0330	14-60-0238	A-70400-0092
14-56-9008	A-70400-5008	14-60-0091	A-70400-0008	14-60-0165	A-70400-0365	14-60-0239	A-70400-0232
14-56-9009	A-70400-5009	14-60-0092	A-70400-0148	14-60-0166	A-70400-0505	14-60-0241	A-70400-0023
14-56-9010	A-70400-5010	14-60-0093	A-70400-0183	14-60-0167	A-70400-0050	14-60-0242	A-70400-0163
14-56-9011	A-70400-5011	14-60-0094	A-70400-0323	14-60-0168	A-70400-0085	14-60-0243	A-70400-0198
14-60-0021	A-70400-0001	14-60-0095	A-70400-0358	14-60-0169	A-70400-0225	14-60-0244	A-70400-0338
14-60-0022	A-70400-0141	14-60-0096	A-70400-0498	14-60-0171	A-70400-0016	14-60-0245	A-70400-0373
14-60-0023	A-70400-0176	14-60-0097	A-70400-0043	14-60-0172	A-70400-0156	14-60-0246	A-70400-0513
14-60-0024	A-70400-0316	14-60-0098	A-70400-0078	14-60-0173	A-70400-0191	14-60-0247	A-70400-0058
14-60-0025	A-70400-0351	14-60-0099	A-70400-0218	14-60-0174	A-70400-0331	14-60-0248	A-70400-0093
14-60-0026	A-70400-0491	14-60-0101	A-70400-0009	14-60-0175	A-70400-0366	14-60-0249	A-70400-0233
14-60-0027	A-70400-0036	14-60-0102	A-70400-0149	14-60-0176	A-70400-0506	14-60-0251	A-70400-0024
14-60-0028	A-70400-0071	14-60-0103	A-70400-0184	14-60-0177	A-70400-0051	14-60-0252	A-70400-0164
14-60-0029	A-70400-0211	14-60-0104	A-70400-0324	14-60-0178	A-70400-0086	14-60-0253	A-70400-0199
14-60-0031	A-70400-0002	14-60-0105	A-70400-0359	14-60-0179	A-70400-0226	14-60-0254	A-70400-0339
14-60-0032	A-70400-0142	14-60-0106	A-70400-0499	14-60-0181	A-70400-0017	14-60-0255	A-70400-0374

IDT SL Hand Tool Module

Connector Series No.70400		Connector Series No.70400		Connector Series No.70400		Connector Series No.70400	
Order No.	Engineer No.	Order No.	Engineer No.	Order No.	Engineer No.	Order No.	Engineer No.
14-60-0256	A-70400-0514	14-60-1099	A-70400-3672	14-60-1182	A-70400-0437	14-60-2032	A-70400-3736
14-60-0257	A-70400-0059	14-60-1100	A-70400-0254	14-60-1183	A-70400-2852	14-60-2040	A-70400-3702
14-60-0258	A-70400-0094	14-60-1101	A-70400-0394	14-60-1186	A-70400-3541	14-60-2041	A-70400-3597
14-60-0259	A-70400-0234	14-60-1102	A-70400-0429	14-60-1187	A-70400-3646	14-60-2042	A-70400-3737
14-60-1020	A-70400-0246	14-60-1103	A-70400-2844	14-60-1188	A-70400-3576	14-60-2044	A-70400-4146
14-60-1021	A-70400-0386	14-60-1106	A-70400-3533	14-60-1189	A-70400-3681	14-60-2050	A-70400-3703
14-60-1022	A-70400-0421	14-60-1107	A-70400-3638	14-60-1190	A-70400-0263	14-60-2051	A-70400-3598
14-60-1023	A-70400-2836	14-60-1108	A-70400-3568	14-60-1191	A-70400-0403	14-60-2052	A-70400-3738
14-60-1026	A-70400-3525	14-60-1109	A-70400-3673	14-60-1192	A-70400-0438	14-60-2053	A-70400-4123
14-60-1027	A-70400-3630	14-60-1110	A-70400-0255	14-60-1193	A-70400-2853	14-60-2060	A-70400-3704
14-60-1028	A-70400-3560	14-60-1111	A-70400-0395	14-60-1196	A-70400-3542	14-60-2061	A-70400-3599
14-60-1029	A-70400-3665	14-60-1112	A-70400-0430	14-60-1197	A-70400-3647	14-60-2062	A-70400-3739
14-60-1030	A-70400-0247	14-60-1113	A-70400-2845	14-60-1198	A-70400-3577	14-60-2070	A-70400-3705
14-60-1031	A-70400-0387	14-60-1116	A-70400-3534	14-60-1199	A-70400-3682	14-60-2071	A-70400-3600
14-60-1032	A-70400-0422	14-60-1117	A-70400-3639	14-60-1200	A-70400-0264	14-60-2072	A-70400-3740
14-60-1033	A-70400-2837	14-60-1118	A-70400-3569	14-60-1201	A-70400-0404	14-60-2080	A-70400-3706
14-60-1036	A-70400-3526	14-60-1119	A-70400-3674	14-60-1202	A-70400-0439	14-60-2081	A-70400-3601
14-60-1037	A-70400-3631	14-60-1120	A-70400-0256	14-60-1203	A-70400-2854	14-60-2082	A-70400-3741
14-60-1038	A-70400-3561	14-60-1121	A-70400-0396	14-60-1206	A-70400-3543	14-60-2083	A-70400-4126
14-60-1039	A-70400-3666	14-60-1122	A-70400-0431	14-60-1207	A-70400-3648	14-60-2084	A-70400-4150
14-60-1040	A-70400-0248	14-60-1123	A-70400-2846	14-60-1208	A-70400-3578	14-60-2090	A-70400-3707
14-60-1041	A-70400-0388	14-60-1126	A-70400-3535	14-60-1209	A-70400-3683	14-60-2091	A-70400-3602
14-60-1042	A-70400-0423	14-60-1127	A-70400-3640	14-60-1210	A-70400-0265	14-60-2092	A-70400-3742
14-60-1043	A-70400-2838	14-60-1128	A-70400-3570	14-60-1211	A-70400-0405	14-60-2100	A-70400-3708
14-60-1046	A-70400-3527	14-60-1129	A-70400-3675	14-60-1212	A-70400-0440	14-60-2101	A-70400-3603
14-60-1047	A-70400-3632	14-60-1130	A-70400-0257	14-60-1213	A-70400-2855	14-60-2102	A-70400-3743
14-60-1048	A-70400-3562	14-60-1131	A-70400-0397	14-60-1216	A-70400-3544	14-60-2110	A-70400-3709
14-60-1049	A-70400-3667	14-60-1132	A-70400-0432	14-60-1217	A-70400-3649	14-60-2111	A-70400-3604
14-60-1050	A-70400-0249	14-60-1133	A-70400-2847	14-60-1218	A-70400-3579	14-60-2112	A-70400-3744
14-60-1051	A-70400-0389	14-60-1136	A-70400-3536	14-60-1219	A-70400-3684	14-60-2120	A-70400-3710
14-60-1052	A-70400-0424	14-60-1137	A-70400-3641	14-60-1220	A-70400-0266	14-60-2121	A-70400-3605
14-60-1053	A-70400-2839	14-60-1138	A-70400-3571	14-60-1221	A-70400-0406	14-60-2122	A-70400-3745
14-60-1056	A-70400-3528	14-60-1139	A-70400-3676	14-60-1222	A-70400-0441	14-60-2130	A-70400-3711
14-60-1057	A-70400-3633	14-60-1140	A-70400-0258	14-60-1223	A-70400-2856	14-60-2131	A-70400-3606
14-60-1058	A-70400-3563	14-60-1141	A-70400-0398	14-60-1226	A-70400-3545	14-60-2132	A-70400-3746
14-60-1059	A-70400-3668	14-60-1142	A-70400-0433	14-60-1227	A-70400-3650	14-60-2140	A-70400-3712
14-60-1060	A-70400-0250	14-60-1143	A-70400-2848	14-60-1228	A-70400-3580	14-60-2141	A-70400-3607
14-60-1061	A-70400-0390	14-60-1146	A-70400-3537	14-60-1229	A-70400-3685	14-60-2142	A-70400-3747
14-60-1062	A-70400-0425	14-60-1147	A-70400-3642	14-60-1230	A-70400-0267	14-60-2150	A-70400-3713
14-60-1063	A-70400-2840	14-60-1148	A-70400-3572	14-60-1231	A-70400-0407	14-60-2151	A-70400-3608
14-60-1066	A-70400-3529	14-60-1149	A-70400-3677	14-60-1232	A-70400-0442	14-60-2152	A-70400-3748
14-60-1067	A-70400-3634	14-60-1150	A-70400-0259	14-60-1233	A-70400-2857	14-60-2160	A-70400-3714
14-60-1068	A-70400-3564	14-60-1151	A-70400-0399	14-60-1236	A-70400-3546	14-60-2161	A-70400-3609
14-60-1069	A-70400-3669	14-60-1152	A-70400-0434	14-60-1237	A-70400-3651	14-60-2162	A-70400-3749
14-60-1070	A-70400-0251	14-60-1153	A-70400-2849	14-60-1238	A-70400-3581	14-60-2170	A-70400-3715
14-60-1071	A-70400-0391	14-60-1156	A-70400-3538	14-60-1239	A-70400-3686	14-60-2171	A-70400-3610
14-60-1072	A-70400-0426	14-60-1157	A-70400-3643	14-60-1240	A-70400-0268	14-60-2172	A-70400-3750
14-60-1073	A-70400-2841	14-60-1158	A-70400-3573	14-60-1241	A-70400-0408	14-60-2180	A-70400-3716
14-60-1076	A-70400-3530	14-60-1159	A-70400-3678	14-60-1242	A-70400-0443	14-60-2181	A-70400-3611
14-60-1077	A-70400-3635	14-60-1160	A-70400-0260	14-60-1243	A-70400-2858	14-60-2182	A-70400-3751
14-60-1078	A-70400-3565	14-60-1161	A-70400-0400	14-60-1246	A-70400-3547	14-60-2190	A-70400-3717
14-60-1079	A-70400-3670	14-60-1162	A-70400-0435	14-60-1247	A-70400-3652	14-60-2191	A-70400-3612
14-60-1080	A-70400-0252	14-60-1163	A-70400-2850	14-60-1248	A-70400-3582	14-60-2192	A-70400-3752
14-60-1081	A-70400-0392	14-60-1166	A-70400-3539	14-60-1249	A-70400-3687	14-60-2200	A-70400-3718
14-60-1082	A-70400-0427	14-60-1167	A-70400-3644	14-60-1250	A-70400-0269	14-60-2201	A-70400-3613
14-60-1083	A-70400-2842	14-60-1168	A-70400-3574	14-60-1251	A-70400-0409	14-60-2202	A-70400-3753
14-60-1086	A-70400-3531	14-60-1169	A-70400-3679	14-60-1252	A-70400-0444	14-60-2210	A-70400-3719
14-60-1087	A-70400-3636	14-60-1170	A-70400-0261	14-60-1253	A-70400-2859	14-60-2211	A-70400-3614
14-60-1088	A-70400-3566	14-60-1171	A-70400-0401	14-60-1256	A-70400-3548	14-60-2212	A-70400-3754
14-60-1089	A-70400-3671	14-60-1172	A-70400-0436	14-60-1257	A-70400-3653	14-60-2220	A-70400-3720
14-60-1090	A-70400-0253	14-60-1173	A-70400-2851	14-60-1258	A-70400-3583	14-60-2221	A-70400-3615
14-60-1091	A-70400-0393	14-60-1176	A-70400-3540	14-60-1259	A-70400-3688	14-60-2222	A-70400-3755
14-60-1092	A-70400-0428	14-60-1177	A-70400-3645	14-60-2020	A-70400-3700	14-60-2230	A-70400-3721
14-60-1093	A-70400-2843	14-60-1178	A-70400-3575	14-60-2021	A-70400-3595	14-60-2231	A-70400-3616
14-60-1096	A-70400-3532	14-60-1179	A-70400-3680	14-60-2022	A-70400-3735	14-60-2232	A-70400-3756
14-60-1097	A-70400-3637	14-60-1180	A-70400-0262	14-60-2030	A-70400-3701	14-60-2240	A-70400-3722
14-60-1098	A-70400-3567	14-60-1181	A-70400-0402	14-60-2031	A-70400-3596	14-60-2241	A-70400-3617

IDT SL Hand Tool Module

Connector Series No.70400	
Order No.	Engineer No.
14-60-2242	A-70400-3757
14-60-2250	A-70400-3723
14-60-2251	A-70400-3618
14-60-2252	A-70400-3758
14-60-4101	A-70400-0114
14-60-5023	A-70400-4050
14-60-5024	A-70400-4085
14-60-5033	A-70400-4051
14-60-5034	A-70400-4086
14-60-5043	A-70400-4052
14-60-5044	A-70400-4087
14-60-5053	A-70400-4053
14-60-5054	A-70400-4088
14-60-5063	A-70400-4054

Connector Series No.70400	
Order No.	Engineer No.
14-60-5064	A-70400-4089
14-60-5073	A-70400-4055
14-60-5074	A-70400-4090
14-60-5083	A-70400-4056
14-60-5084	A-70400-4091
14-60-5093	A-70400-4057
14-60-5094	A-70400-4092
14-60-5103	A-70400-4058
14-60-5104	A-70400-4093
14-60-5113	A-70400-4059
14-60-5114	A-70400-4094
14-60-5123	A-70400-4060
14-60-5124	A-70400-4095
14-60-5133	A-70400-4061

Connector Series No.70400	
Order No.	Engineer No.
14-60-5134	A-70400-4096
14-60-5143	A-70400-4062
14-60-5144	A-70400-4097
14-60-5153	A-70400-4063
14-60-5154	A-70400-4098
14-60-5160	A-70400-3959
14-60-5161	A-70400-3994
14-60-5162	A-70400-4029
14-60-5163	A-70400-4064
14-60-5164	A-70400-4099
14-60-5173	A-70400-4065
14-60-5174	A-70400-4100
14-60-5183	A-70400-4066
14-60-5184	A-70400-4101

Connector Series No.70400	
Order No.	Engineer No.
14-60-5193	A-70400-4067
14-60-5194	A-70400-4102
14-60-5203	A-70400-4068
14-60-5204	A-70400-4103
14-60-5213	A-70400-4069
14-60-5214	A-70400-4104
14-60-5223	A-70400-4070
14-60-5224	A-70400-4105
14-60-5233	A-70400-4071
14-60-5234	A-70400-4106
14-60-5243	A-70400-4072
14-60-5244	A-70400-4107
14-60-5253	A-70400-4073
14-60-5254	A-70400-4108

Connector Series No.70475	
Order No.	Engineer No.
14-44-1002	A-70475-0526
14-44-1003	A-70475-0527
14-44-1004	A-70475-0528
14-44-1005	A-70475-0529
14-44-1006	A-70475-0530
14-44-1007	A-70475-0531
14-44-1008	A-70475-0532
14-44-1009	A-70475-0533
14-44-1010	A-70475-0534
14-44-1011	A-70475-0535
14-44-1012	A-70475-0536
14-44-1013	A-70475-0537
14-44-1014	A-70475-0538
14-44-1015	A-70475-0539
14-44-1016	A-70475-0540
14-44-1017	A-70475-0541
14-44-1018	A-70475-0542
14-44-1019	A-70475-0543
14-44-1020	A-70475-0544
14-44-1021	A-70475-0545
14-44-1022	A-70475-0546
14-44-1023	A-70475-0547
14-44-1024	A-70475-0548
14-44-1025	A-70475-0549
14-44-1202	A-70475-0596
14-44-1203	A-70475-0597
14-44-1204	A-70475-0598
14-44-1205	A-70475-0599
14-44-1206	A-70475-0600
14-44-1207	A-70475-0601
14-44-1208	A-70475-0602
14-44-1209	A-70475-0603
14-44-1210	A-70475-0604
14-44-1211	A-70475-0605
14-44-1212	A-70475-0606
14-44-1213	A-70475-0607
14-44-1214	A-70475-0608
14-44-1215	A-70475-0609
14-44-1216	A-70475-0610
14-44-1217	A-70475-0611
14-44-1218	A-70475-0612
14-44-1219	A-70475-0613
14-44-1220	A-70475-0614
14-44-1221	A-70475-0615
14-44-1222	A-70475-0616
14-44-1223	A-70475-0617
14-44-1224	A-70475-0618
14-44-1225	A-70475-0619

Connector Series No.70475	
Order No.	Engineer No.
14-44-1402	A-70475-0701
14-44-1403	A-70475-0702
14-44-1404	A-70475-0703
14-44-1405	A-70475-0704
14-44-1406	A-70475-0705
14-44-1407	A-70475-0706
14-44-1408	A-70475-0707
14-44-1409	A-70475-0708
14-44-1410	A-70475-0709
14-44-1411	A-70475-0710
14-44-1412	A-70475-0711
14-44-1413	A-70475-0712
14-44-1414	A-70475-0713
14-44-1415	A-70475-0714
14-44-1416	A-70475-0715
14-44-1417	A-70475-0716
14-44-1418	A-70475-0717
14-44-1419	A-70475-0718
14-44-1420	A-70475-0719
14-44-1421	A-70475-0720
14-44-1422	A-70475-0721
14-44-1423	A-70475-0722
14-44-1424	A-70475-0723
14-44-1425	A-70475-0724
14-44-1602	A-70475-0771
14-44-1603	A-70475-0772
14-44-1604	A-70475-0773
14-44-1605	A-70475-0774
14-44-1606	A-70475-0775
14-44-1607	A-70475-0776
14-44-1608	A-70475-0777
14-44-1609	A-70475-0778
14-44-1610	A-70475-0779
14-44-1611	A-70475-0780
14-44-1612	A-70475-0781
14-44-1613	A-70475-0782
14-44-1614	A-70475-0783
14-44-1615	A-70475-0784
14-44-1616	A-70475-0785
14-44-1617	A-70475-0786
14-44-1618	A-70475-0787
14-44-1619	A-70475-0788
14-44-1620	A-70475-0789
14-44-1621	A-70475-0790
14-44-1622	A-70475-0791
14-44-1623	A-70475-0792
14-44-1624	A-70475-0793
14-44-1625	A-70475-0794

Connector Series No.70475	
Order No.	Engineer No.
14-44-1802	A-70475-0876
14-44-1803	A-70475-0877
14-44-1804	A-70475-0878
14-44-1805	A-70475-0879
14-44-1806	A-70475-0880
14-44-1807	A-70475-0881
14-44-1808	A-70475-0882
14-44-1809	A-70475-0883
14-44-1810	A-70475-0884
14-44-1811	A-70475-0885
14-44-1812	A-70475-0886
14-44-1813	A-70475-0887
14-44-1814	A-70475-0888
14-44-1815	A-70475-0889
14-44-1816	A-70475-0890
14-44-1817	A-70475-0891
14-44-1818	A-70475-0892
14-44-1819	A-70475-0893
14-44-1820	A-70475-0894
14-44-1821	A-70475-0895
14-44-1822	A-70475-0896
14-44-1823	A-70475-0897
14-44-1824	A-70475-0898
14-44-1825	A-70475-0899
14-44-2102	A-70475-0946
14-44-2103	A-70475-0947
14-44-2104	A-70475-0948
14-44-2105	A-70475-0949
14-44-2106	A-70475-0950
14-44-2107	A-70475-0951
14-44-2108	A-70475-0952
14-44-2109	A-70475-0953
14-44-2110	A-70475-0954
14-44-2111	A-70475-0955
14-44-2112	A-70475-0956
14-44-2113	A-70475-0957
14-44-2114	A-70475-0958
14-44-2115	A-70475-0959
14-44-2116	A-70475-0960
14-44-2117	A-70475-0961
14-44-2118	A-70475-0962
14-44-2119	A-70475-0963
14-44-2120	A-70475-0964
14-44-2121	A-70475-0965
14-44-2122	A-70475-0966
14-44-2123	A-70475-0967
14-44-2124	A-70475-0968
14-44-2125	A-70475-0969

Connector Series No.70475	
Order No.	Engineer No.
14-44-2302	A-70475-1051
14-44-2303	A-70475-1052
14-44-2304	A-70475-1053
14-44-2305	A-70475-1054
14-44-2306	A-70475-1055
14-44-2307	A-70475-1056
14-44-2308	A-70475-1057
14-44-2309	A-70475-1058
14-44-2310	A-70475-1059
14-44-2311	A-70475-1060
14-44-2312	A-70475-1061
14-44-2313	A-70475-1062
14-44-2314	A-70475-1063
14-44-2315	A-70475-1064
14-44-2316	A-70475-1065
14-44-2317	A-70475-1066
14-44-2318	A-70475-1067
14-44-2319	A-70475-1068
14-44-2320	A-70475-1069
14-44-2321	A-70475-1070
14-44-2322	A-70475-1071
14-44-2323	A-70475-1072
14-44-2324	A-70475-1073
14-44-2325	A-70475-1074
14-44-2502	A-70475-1121
14-44-2503	A-70475-1122
14-44-2504	A-70475-1123
14-44-2505	A-70475-1124
14-44-2506	A-70475-1125
14-44-2507	A-70475-1126
14-44-2508	A-70475-1127
14-44-2509	A-70475-1128
14-44-2510	A-70475-1129
14-44-2511	A-70475-1130
14-44-2512	A-70475-1131
14-44-2513	A-70475-1132
14-44-2514	A-70475-1133
14-44-2515	A-70475-1134
14-44-2516	A-70475-1135
14-44-2517	A-70475-1136
14-44-2518	A-70475-1137
14-44-2519	A-70475-1138
14-44-2520	A-70475-1139
14-44-2521	A-70475-1140
14-44-2522	A-70475-1141
14-44-2523	A-70475-1142
14-44-2524	A-70475-1143
14-44-2525	A-70475-1144

IDT SL Hand Tool Module

Connector Series No.70475	
Order No.	Engineer No.
14-44-2702	A-70475-1226
14-44-2703	A-70475-1227
14-44-2704	A-70475-1228
14-44-2705	A-70475-1229
14-44-2706	A-70475-1230
14-44-2707	A-70475-1231
14-44-2708	A-70475-1232
14-44-2709	A-70475-1233
14-44-2710	A-70475-1234
14-44-2711	A-70475-1235
14-44-2712	A-70475-1236
14-44-2713	A-70475-1237
14-44-2714	A-70475-1238
14-44-2715	A-70475-1239
14-44-2716	A-70475-1240
14-44-2717	A-70475-1241
14-44-2718	A-70475-1242
14-44-2719	A-70475-1243
14-44-2720	A-70475-1244
14-44-2721	A-70475-1245
14-44-2722	A-70475-1246
14-44-2723	A-70475-1247
14-44-2724	A-70475-1248
14-44-2725	A-70475-1249
14-44-2902	A-70475-1296
14-44-2903	A-70475-1297
14-44-2904	A-70475-1298
14-44-2905	A-70475-1299
14-44-2906	A-70475-1300
14-44-2907	A-70475-1301
14-44-2908	A-70475-1302
14-44-2909	A-70475-1303
14-44-2910	A-70475-1304
14-44-2911	A-70475-1305
14-44-2912	A-70475-1306
14-44-2913	A-70475-1307
14-44-2914	A-70475-1308
14-44-2915	A-70475-1309
14-44-2916	A-70475-1310
14-44-2917	A-70475-1311
14-44-2918	A-70475-1312
14-44-2919	A-70475-1313
14-44-2920	A-70475-1314
14-44-2921	A-70475-1315
14-44-2922	A-70475-1316
14-44-2923	A-70475-1317
14-44-2924	A-70475-1318
14-44-2925	A-70475-1319
14-44-3902	A-70475-1401
14-44-3903	A-70475-1402
14-44-3904	A-70475-1403
14-44-3905	A-70475-1404
14-44-3906	A-70475-1405
14-44-3907	A-70475-1406
14-44-3908	A-70475-1407
14-44-3909	A-70475-1408
14-44-3910	A-70475-1409
14-44-3911	A-70475-1410
14-44-3912	A-70475-1411
14-44-3913	A-70475-1412
14-44-3914	A-70475-1413
14-44-3915	A-70475-1414
14-44-3916	A-70475-1415
14-44-3917	A-70475-1416
14-44-3918	A-70475-1417
14-44-3919	A-70475-1418
14-44-3920	A-70475-1419

Connector Series No.70475	
Order No.	Engineer No.
14-44-3921	A-70475-1420
14-44-3922	A-70475-1421
14-44-3923	A-70475-1422
14-44-3924	A-70475-1423
14-44-3925	A-70475-1424
14-44-4902	A-70475-1471
14-44-4903	A-70475-1472
14-44-4904	A-70475-1473
14-44-4905	A-70475-1474
14-44-4906	A-70475-1475
14-44-4907	A-70475-1476
14-44-4908	A-70475-1477
14-44-4909	A-70475-1478
14-44-4910	A-70475-1479
14-44-4911	A-70475-1480
14-44-4912	A-70475-1481
14-44-4913	A-70475-1482
14-44-4914	A-70475-1483
14-44-4915	A-70475-1484
14-44-4916	A-70475-1485
14-44-4917	A-70475-1486
14-44-4918	A-70475-1487
14-44-4919	A-70475-1488
14-44-4920	A-70475-1489
14-44-4921	A-70475-1490
14-44-4922	A-70475-1491
14-44-4923	A-70475-1492
14-44-4924	A-70475-1493
14-44-4925	A-70475-1494
14-44-5202	A-70475-2171
14-44-5203	A-70475-2172
14-44-5204	A-70475-2173
14-44-5205	A-70475-2174
14-44-5206	A-70475-2175
14-44-5207	A-70475-2176
14-44-5208	A-70475-2177
14-44-5209	A-70475-2178
14-44-5210	A-70475-2179
14-44-5211	A-70475-2180
14-44-5212	A-70475-2181
14-44-5213	A-70475-2182
14-44-5214	A-70475-2183
14-44-5215	A-70475-2184
14-44-5216	A-70475-2185
14-44-5217	A-70475-2186
14-44-5218	A-70475-2187
14-44-5219	A-70475-2188
14-44-5220	A-70475-2189
14-44-5221	A-70475-2190
14-44-5222	A-70475-2191
14-44-5223	A-70475-2192
14-44-5224	A-70475-2193
14-44-5225	A-70475-2194
14-44-5302	A-70475-2346
14-44-5303	A-70475-2347
14-44-5304	A-70475-2348
14-44-5305	A-70475-2349
14-44-5306	A-70475-2350
14-44-5307	A-70475-2351
14-44-5308	A-70475-2352
14-44-5309	A-70475-2353
14-44-5310	A-70475-2354
14-44-5311	A-70475-2355
14-44-5312	A-70475-2356
14-44-5313	A-70475-2357
14-44-5314	A-70475-2358
14-44-5315	A-70475-2359

Connector Series No.70475	
Order No.	Engineer No.
14-44-5316	A-70475-2360
14-44-5317	A-70475-2361
14-44-5318	A-70475-2362
14-44-5319	A-70475-2363
14-44-5320	A-70475-2364
14-44-5321	A-70475-2365
14-44-5322	A-70475-2366
14-44-5323	A-70475-2367
14-44-5324	A-70475-2368
14-44-5325	A-70475-2369
14-44-5402	A-70475-2521
14-44-5403	A-70475-2522
14-44-5404	A-70475-2523
14-44-5405	A-70475-2524
14-44-5406	A-70475-2525
14-44-5407	A-70475-2526
14-44-5408	A-70475-2527
14-44-5409	A-70475-2528
14-44-5410	A-70475-2529
14-44-5411	A-70475-2530
14-44-5412	A-70475-2531
14-44-5413	A-70475-2532
14-44-5414	A-70475-2533
14-44-5415	A-70475-2534
14-44-5416	A-70475-2535
14-44-5417	A-70475-2536
14-44-5418	A-70475-2537
14-44-5419	A-70475-2538
14-44-5420	A-70475-2539
14-44-5421	A-70475-2540
14-44-5422	A-70475-2541
14-44-5423	A-70475-2542
14-44-5424	A-70475-2543
14-44-5425	A-70475-2544
14-44-5502	A-70475-2101
14-44-5503	A-70475-2102
14-44-5504	A-70475-2103
14-44-5505	A-70475-2104
14-44-5506	A-70475-2105
14-44-5507	A-70475-2106
14-44-5508	A-70475-2107
14-44-5509	A-70475-2108
14-44-5510	A-70475-2109
14-44-5511	A-70475-2110
14-44-5512	A-70475-2111
14-44-5513	A-70475-2112
14-44-5514	A-70475-2113
14-44-5515	A-70475-2114
14-44-5516	A-70475-2115
14-44-5517	A-70475-2116
14-44-5518	A-70475-2117
14-44-5519	A-70475-2118
14-44-5520	A-70475-2119
14-44-5521	A-70475-2120
14-44-5522	A-70475-2121
14-44-5523	A-70475-2122
14-44-5524	A-70475-2123
14-44-5525	A-70475-2124
14-45-0002	A-70475-0001
14-45-0003	A-70475-0002
14-45-0004	A-70475-0003
14-45-0005	A-70475-0004
14-45-0006	A-70475-0005
14-45-0007	A-70475-0006
14-45-0008	A-70475-0007
14-45-0009	A-70475-0008
14-45-0010	A-70475-0009

Connector Series No.70475	
Order No.	Engineer No.
14-45-0011	A-70475-0010
14-45-0012	A-70475-0011
14-45-0013	A-70475-0012
14-45-0014	A-70475-0013
14-45-0015	A-70475-0014
14-45-0016	A-70475-0015
14-45-0017	A-70475-0016
14-45-0018	A-70475-0017
14-45-0019	A-70475-0018
14-45-0020	A-70475-0019
14-45-0021	A-70475-0020
14-45-0022	A-70475-0021
14-45-0023	A-70475-0022
14-45-0024	A-70475-0023
14-45-0025	A-70475-0024
14-45-0202	A-70475-0071
14-45-0203	A-70475-0072
14-45-0204	A-70475-0073
14-45-0205	A-70475-0074
14-45-0206	A-70475-0075
14-45-0207	A-70475-0076
14-45-0208	A-70475-0077
14-45-0209	A-70475-0078
14-45-0210	A-70475-0079
14-45-0211	A-70475-0080
14-45-0212	A-70475-0081
14-45-0213	A-70475-0082
14-45-0214	A-70475-0083
14-45-0215	A-70475-0084
14-45-0216	A-70475-0085
14-45-0217	A-70475-0086
14-45-0218	A-70475-0087
14-45-0219	A-70475-0088
14-45-0220	A-70475-0089
14-45-0221	A-70475-0090
14-45-0222	A-70475-0091
14-45-0223	A-70475-0092
14-45-0224	A-70475-0093
14-45-0225	A-70475-0094
14-45-0402	A-70475-0176
14-45-0403	A-70475-0177
14-45-0404	A-70475-0178
14-45-0405	A-70475-0179
14-45-0406	A-70475-0180
14-45-0407	A-70475-0181
14-45-0408	A-70475-0182
14-45-0409	A-70475-0183
14-45-0410	A-70475-0184
14-45-0411	A-70475-0185
14-45-0412	A-70475-0186
14-45-0413	A-70475-0187
14-45-0414	A-70475-0188
14-45-0415	A-70475-0189
14-45-0416	A-70475-0190
14-45-0417	A-70475-0191
14-45-0418	A-70475-0192
14-45-0419	A-70475-0193
14-45-0420	A-70475-0194
14-45-0421	A-70475-0195
14-45-0422	A-70475-0196
14-45-0423	A-70475-0197
14-45-0424	A-70475-0198
14-45-0425	A-70475-0199
14-45-0602	A-70475-0246
14-45-0603	A-70475-0247
14-45-0604	A-70475-0248
14-45-0605	A-70475-0249



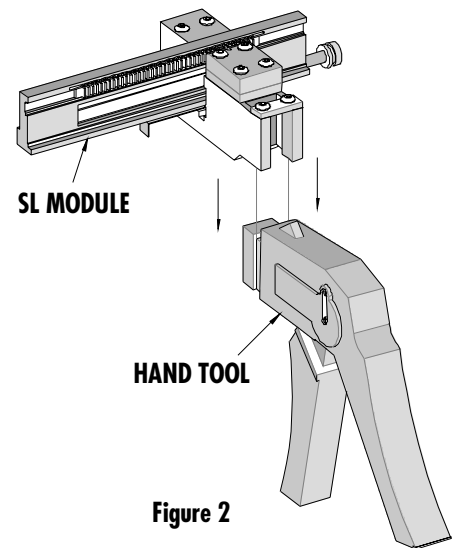
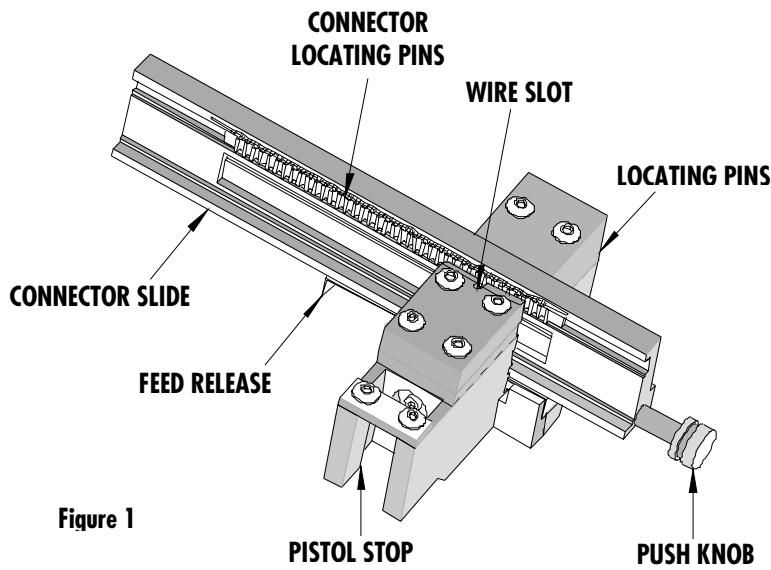
Connector Series No.70475	
Order No.	Engineer No.
14-45-0606	A-70475-0250
14-45-0607	A-70475-0251
14-45-0608	A-70475-0252
14-45-0609	A-70475-0253
14-45-0610	A-70475-0254
14-45-0611	A-70475-0255
14-45-0612	A-70475-0256
14-45-0613	A-70475-0257
14-45-0614	A-70475-0258
14-45-0615	A-70475-0259
14-45-0616	A-70475-0260
14-45-0617	A-70475-0261
14-45-0618	A-70475-0262
14-45-0619	A-70475-0263
14-45-0620	A-70475-0264
14-45-0621	A-70475-0265
14-45-0622	A-70475-0266
14-45-0623	A-70475-0267

Connector Series No.70475	
Order No.	Engineer No.
14-45-0624	A-70475-0268
14-45-0625	A-70475-0269
14-45-1602	A-70475-0351
14-45-1603	A-70475-0352
14-45-1604	A-70475-0353
14-45-1605	A-70475-0354
14-45-1606	A-70475-0355
14-45-1607	A-70475-0356
14-45-1608	A-70475-0357
14-45-1609	A-70475-0358
14-45-1610	A-70475-0359
14-45-1611	A-70475-0360
14-45-1612	A-70475-0361
14-45-1613	A-70475-0362
14-45-1614	A-70475-0363
14-45-1615	A-70475-0364
14-45-1616	A-70475-0365
14-45-1617	A-70475-0366

Connector Series No.70475	
Order No.	Engineer No.
14-45-1618	A-70475-0367
14-45-1619	A-70475-0368
14-45-1620	A-70475-0369
14-45-1621	A-70475-0370
14-45-1622	A-70475-0371
14-45-1623	A-70475-0372
14-45-1624	A-70475-0373
14-45-1625	A-70475-0374
14-45-1802	A-70475-0421
14-45-1803	A-70475-0422
14-45-1804	A-70475-0423
14-45-1805	A-70475-0424
14-45-1806	A-70475-0425
14-45-1807	A-70475-0426
14-45-1808	A-70475-0427
14-45-1809	A-70475-0428
14-45-1810	A-70475-0429
14-45-1811	A-70475-0430

Connector Series No.70475	
Order No.	Engineer No.
14-45-1812	A-70475-0431
14-45-1813	A-70475-0432
14-45-1814	A-70475-0433
14-45-1815	A-70475-0434
14-45-1816	A-70475-0435
14-45-1817	A-70475-0436
14-45-1818	A-70475-0437
14-45-1819	A-70475-0438
14-45-1820	A-70475-0439
14-45-1821	A-70475-0440
14-45-1822	A-70475-0441
14-45-1823	A-70475-0442
14-45-1824	A-70475-0443
14-45-1825	A-70475-0444

## DESCRIPTION



## INSTALLATION

To install the SL Module onto the hand tool, align the module and the tool as shown in Figure 2. Push the module down onto the hand tool until the stop on the module is firmly seated in the groove in the hand tool.

### Termination Depth Adjustment

The proper termination depth is the wire diameter plus .008".  
See Figure 3.

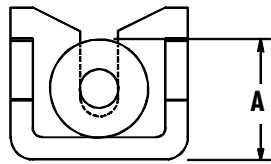


Figure 3

1. To adjust the depth of insertion of a wire into a terminal, remove the module from the hand tool.
2. Locate the adjusting screw on the back of the module. See Figure 4.
3. Turn this screw counterclockwise (CCW) to increase the depth or clockwise (CW) to decrease the insertion depth.

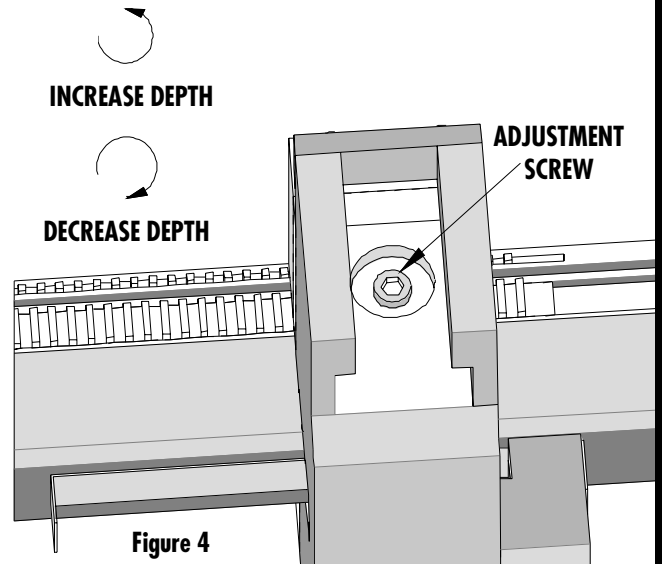


Figure 4

The termination depth can also be adjusted on the hand tool handle, see the hand tool handle instruction manual Order No. 63600-0478.  
See also product specification SDES-70400 for more information.

### OPERATION

1. To unlock the connector slide, push the feed release all the way to the right. See Figure 6.
2. Now shift the connector slide all the way back to the left by using the push knob on the end of the slide. See Figure 6.
3. Load a connector onto the connector slide by engaging the holes in the carrier strip onto the locating pins in the slide. See Figure 5. Make sure the first terminal on the connector is over the first termination position to the right on the connector slide.
4. While pressing the locating pin on the front of the SL module and pushing the connector slide at the same time to the right until it stops. This should put the first terminal in front of the wire slot. See Figure 6.
5. Place a wire into the wire slot and push down till it hits the wire stop. See Figure 7. This will determine the wire positioning in the terminal.

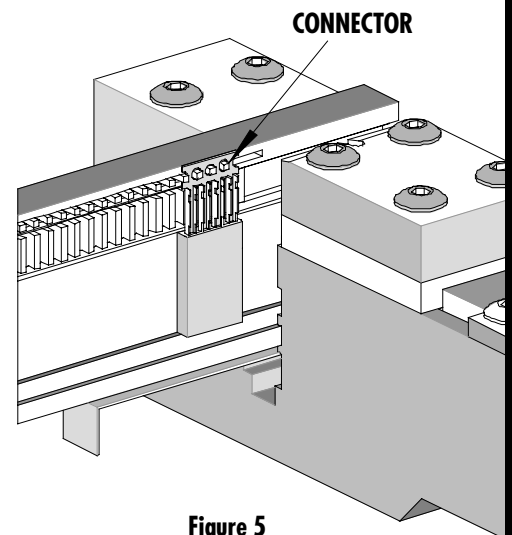


Figure 5

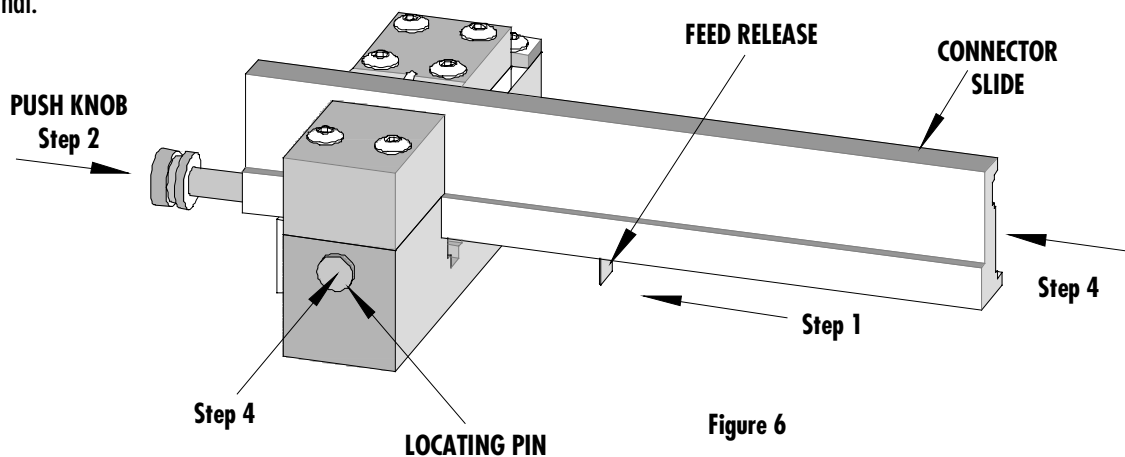


Figure 6

6. While holding the wire in place, squeeze the hand tool trigger. This will insert the wire into the terminal.

**NOTE:** There is a full stroke ratchet on the hand tool to insure complete termination. If something jams, the ratchet mechanism can be released by pushing upward on the ratchet pawl at the base of the trigger. See Figure 8.

7. Gently release the trigger. The connector slide will automatically index to the next position.
8. Repeat steps 5, 6, and 7 until all wires are terminated.
9. Push the feed release to the right to unlock the slide.
10. Push the slide all the way to the right and remove the completed connector assembly from the slide.
11. Return to step 2 to continue.

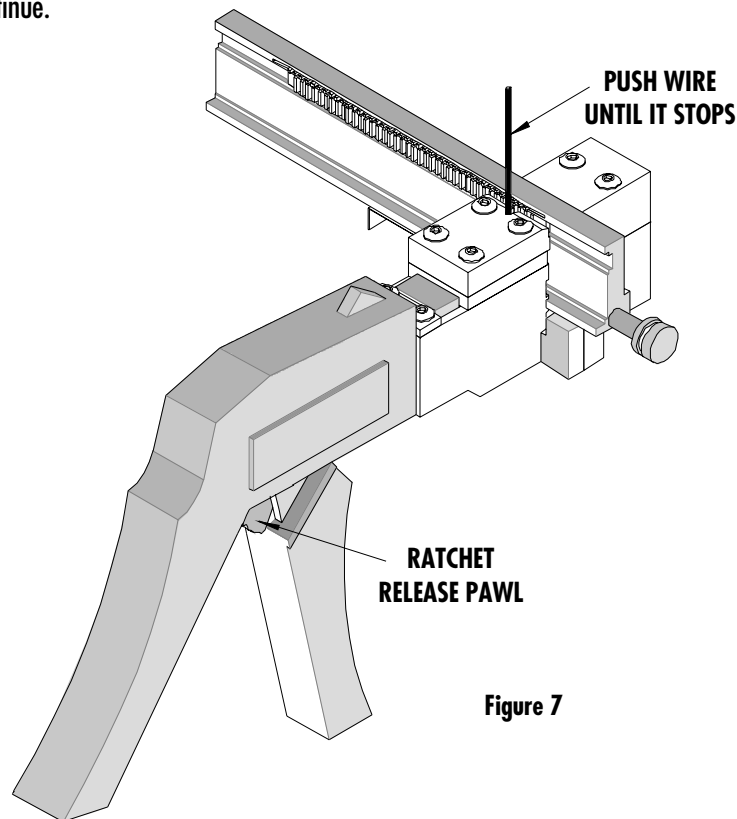


Figure 7

**Notes:**

1. Molex does not repair hand tools modules. If the module becomes damaged, a new tool must be purchased. See Hand Tool Manual (Order No. 63600-0478) for replacement parts for that tool.
2. Molex does not certify crimp hand tools.

**CAUTION:** Molex specifications are valid only when used with Molex terminals, applicators and tooling.

**Application Tooling Group**

1150 E. Diehl Road  
Naperville, IL, 60563  
Tel: 630-969-4550  
Fax: 630-505-0049

Visit our Web site at <http://www.molex.com>